

# ADJUSTMENT MANUAL

Check the condition of the packaging. If there is damage to the packaging or the product, document this carefully with photos, save the packaging and contact us within 5 days. Carefully study the assembly instructions (only provided for partially assembled items), and check that everything on the packing list is enclosed before you start.

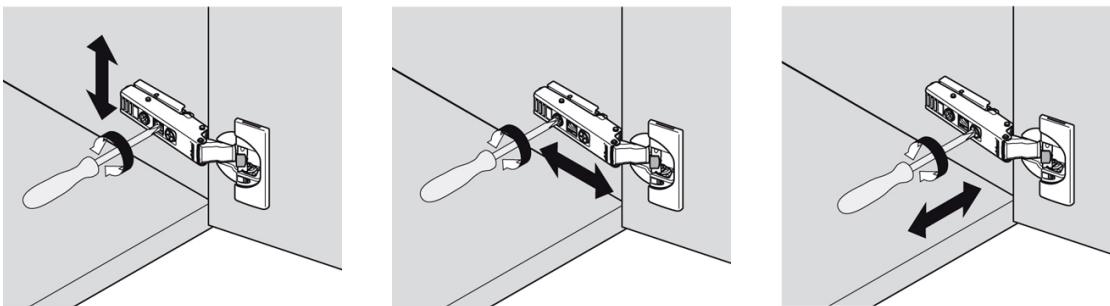
First, always use a spirit level to ensure the furniture is leveled with the floor before adjusting the doors and drawers. Most floors are uneven.

All of our storage units have adjustable doors and drawers. They are always set correctly at the factory but may move slightly out of place during transportation.

## ADJUSTMENT OF DOORS

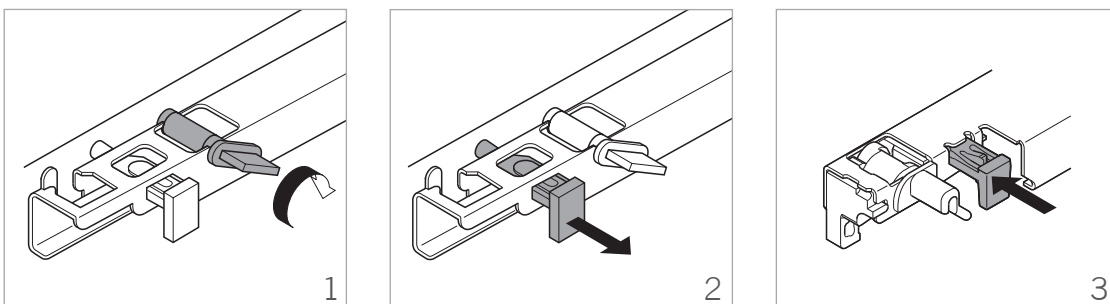
Start by removing the small ASPLUND cap on the hinge. Underneath this there are two screws, one for up/down adjustment and one for right/left adjustment. At the back of the hinge is a third screw that rarely needs to be used, for adjusting the door inwards and outwards.

Useful tip: when the screw moves in or out, the hinge moves in the opposite direction.



## ADJUSTMENT OF DRAWERS

We use high-quality drawer rails that are updated regularly, so new cabinets may not look the same; however, the adjustment mechanism is usually very similar. There is a small plastic key about 5 cm in beneath both sides of the drawer that can be rotated to adjust the drawer position up and down. \*See drawing 1. If this is still not enough, recheck that the piece is level, take out the drawer by pushing out the security sprint (\*see drawing 2), then lift the drawer out and upwards. On the back of the drawer there is a small hole near each corner. Reinsert the drawer and check that the hook at the end of the rail is properly inserted into this little hole. It is easiest if you do both sides simultaneously. If you have any problems, please contact either your retailer or us directly. We are always ready to help and ensure that you are happy with your item of furniture, both now and in the future.



## TILT PROTECTION

Some of our furniture has a tilt protection strap. If you usually load your drawers heavily, or you have small children who like to climb on the furniture, we recommend that you fix your item of furniture to the wall. The best way to use the strap is to first undo one of the small screws holding the back panel in place, and to attach one end of the strap in this position. Then attach the other end to the wall. If you would prefer to use two tilt protection straps, please let us know and we will happily provide you with another one.

# MAINTENANCE MANUAL

Most of our storage units are lacquered or veneered, but we sometimes use complementary materials to make the special design absolutely perfect. If we don't describe here the material used in your piece, please visit our website or contact us or your local retailer for more information.

HAND-MADE SURFACES SHOULD NEVER BE EXPOSED TO STRONG DIRECT SUNLIGHT.

Differences in colour may occur.

## LACQUERED SURFACES

We use a high-quality acid-based lacquer that is best cleaned with a damp cloth and a touch of natural soap. Should you accidentally chip the lacquer, you can order a small can of touch-up paint from us (please note that the lacquer may become slightly yellow after exposure to daylight. This means that new lacquer will be a slightly different colour. However, this will not be noticeable unless a large area is involved, in which case we recommend you to go to a local paint shop and have the repair carried out professionally.

## VENEERED SURFACES

For all of our wooden storage units, we use a high-quality cut veneer, treated with an environmentally-friendly oil wax. Since both the cabinet and the treatment are natural products, you should reapply the wax when the surface becomes dry. We recommend OSMO oil wax maintenance spray. Contact your local retailer for more information or visit [www.osmo.com](http://www.osmo.com) for worldwide distribution.

## NATURAL STONE

We use stones such as Belgian limestone, Carrara marble (cat. CD) and Nuvolato marble in some of our table tops and storage units.

In the stone cutting factory, a "nano" treatment is applied to close the pores of the stone and make the surface more durable.

Naturally occurring small cavities (tarollis) are to be expected in the surface of the slabs. This is not a sign of poor quality but a natural feature in the stone. Natural young limestones are natural and luxurious materials that can react with fluids, such as alcohol, oil, soda and sometimes even mineral waters. You can help to maintain the surface and treatment by cleaning it only with natural soap and water; chemicals will remove the surface treatment. Please keep in mind that stone is a natural material and that each slab is unique.